



BOARD OF SUPERVISORS AGENDA ITEM REPORT
CONTRACTS / AWARDS / GRANTS

Award Contract Grant

Requested Board Meeting Date: 12/12/2017

or Procurement Director Award

* = Mandatory, information must be provided

***Contractor/Vendor Name/Grantor (DBA):**

US Dept of Homeland Security, US Customs and Border Protection ("CBP")

***Project Title/Description:**

Second Amendment to Amended and Restated Intergovernmental Agreement ("IGA"); Lic-0286; Supervisor Dist 3

***Purpose:**

County and CBP entered into an IGA effective August 5, 2008, pursuant to which County granted CBP the right to enter upon and to construct, install and maintain communications equipment on County owned property at 33200 S. Sasabe Hwy. The IGA also granted County permission and access to communications/surveillance towers owned by CBP in Pima County in order to attach radios and antennas in support of the Pima County Wireless Integrated Network system. On June 3, 2014, the parties entered into an Amended and Restated IGA to extend the term and to refine some of the parties' responsibilities under the IGA. This Second Amendment will permit CBP to make certain upgrades to its site and to temporarily move its antennas to the adjacent County tower pending the upgrade to the CBP tower.

***Procurement Method:**

Exempt pursuant to Pima County Code Section 11.04.020

***Program Goals/Predicted Outcomes:**

Enhanced border protection by upgrading CBP surveillance towers and related communications equipment.

***Public Benefit:**

Enhanced emergency response to benefit County citizens through County's PCWIN network system, and enhanced border security through upgraded CBP surveillance tower.

***Metrics Available to Measure Performance:**

Timely compliance with terms of IGA by CBP.

***Retroactive:**

No.

NOV 30 17 AM 11:38 PC CLK OF PD

To: COB. 11-30-17
pgs - 9
Addendum

Contract / Award Information

Document Type: _____ Department Code: _____ Contract Number (i.e., 15-123): _____

Effective Date: _____ Termination Date: _____ Prior Contract Number (Synergen/CMS): _____

Expense Amount: \$* _____ Revenue Amount: \$ _____

***Funding Source(s) required:**

Funding from General Fund? Yes No If Yes \$ _____ % _____

Contract is fully or partially funded with Federal Funds? Yes No

***Is the Contract to a vendor or subrecipient?**

Were insurance or indemnity clauses modified? Yes No

If Yes, attach Risk's approval

Vendor is using a Social Security Number? Yes No

If Yes, attach the required form per Administrative Procedure 22-73.

Amendment / Revised Award Information

Document Type: CTN Department Code: IT Contract Number (i.e., 15-123): 12-371

Amendment No.: Two (2) AMS Version No.: 3

Effective Date: 12/12/2017 New Termination Date: 08/04/2018

19

Prior Contract No. (Synergen/CMS): 01-14-U-141123-0808

Expense or Revenue Increase Decrease Amount This Amendment: \$ 0

Is there revenue included? Yes No If Yes \$ _____

***Funding Source(s) required:**

Funding from General Fund? Yes No If Yes \$ _____ % _____

Grant/Amendment Information (for grants acceptance and awards) Award Amendment

Document Type: _____ Department Code: _____ Grant Number (i.e., 15-123): _____

Effective Date: _____ Termination Date: _____ Amendment Number: _____

Match Amount: \$ _____ Revenue Amount: \$ _____

***All Funding Source(s) required:**

*Match funding from General Fund? Yes No If Yes \$ _____ % _____

*Match funding from other sources? Yes No If Yes \$ _____ % _____

***Funding Source:**

***If Federal funds are received, is funding coming directly from the Federal government or passed through other organization(s)?**

Contact: Michael D. Stofko

Department: Real Property Services

Telephone: 520-724-6667

Department Director Signature/Date: _____

11-28-2017

Deputy County Administrator Signature/Date: _____

11/29/17

County Administrator Signature/Date: _____

C. [Signature] 11/29/17

(Required for Board Agenda/Addendum Items)



CONTRACT	
NO.	<u>CTN-IT-12-371</u>
AMENDMENT NO.	<u>02</u>
This number must appear on all invoices, correspondence and documents pertaining to this contract.	

**SECOND AMENDMENT TO AMENDED AND
RESTATED INTERGOVERNMENTAL
AGREEMENT BETWEEN PIMA COUNTY,
ARIZONA AND
THE U.S. DEPARTMENT OF
HOMELAND SECURITY, CUSTOMS AND
BORDER PROTECTION**

CONTRACT No. CTN-IT-12000000000000000371 (Previous #01-14-U-141123-0808)

Customs and Border Protection Contract Number: HSBP-1113-L-DA00532

This SECOND AMENDMENT TO AMENDED AND RESTATED INTERGOVERNMENTAL AGREEMENT is entered into by and between Pima County ("County"), a political subdivision of the State of Arizona, and the U.S. Department of Homeland Security, U.S. Customs and Border Protection, a branch of the United States government, hereinafter referred to as "CBP," and shall be effective December 19, 2017.

RECITALS

A. County and CBP entered into an Intergovernmental Agreement ("IGA") effective August 5, 2008, with an expiration date of August 4, 2013, granting CBP permission to enter upon and to construct, install, operate and maintain certain communications equipment on County-owned land which is a portion of Tax Parcel 302-02-0130, commonly known as 33200 S. Sasabe Highway (the "Site"). The original IGA was assigned Contract No. #01-14-U-141123-0808.

B. On June 3, 2014, the parties entered into an Amended and Restated IGA, which fully replaced and superseded the original IGA, extended the term of the IGA to August

4, 2018, and redefined some of the parties' respective responsibilities under the IGA. The Amended and Restated IGA was assigned Contract No. CTN-IT-12*371, Amendment No. 1.

C. CBP wishes to make certain changes to the existing Site, which proposed changes are set forth with specificity below.

D County is amenable to CBP's proposed changes to the site, subject to approval of the Board of Supervisors herein.

AGREEMENT

NOW THEREFORE, in consideration of the mutual promises and undertakings of the parties hereinafter set forth, it is agreed as follows:

A. The County hereby grants to CBP permission to make the following modifications to the communications infrastructure and equipment at the Site:

1. Stake out and install a 100'x100' temporary impact zone, and install a frog-proof fence in accordance with US Fish and Wildlife Regulations to protect the endangered Chiricahua Leopard Frog;
2. Temporarily move the CBP antennas to the adjacent Pima County Tower (TUS-300) pending the upgrade to the CBP Tower (TUS-032), and structurally reinforce the Pima County Tower (TUS-300) in accordance with the sealed Structural Engineering Design to accommodate CBP antennas to be temporarily migrated from CBP Tower (TUS-032) to Pima County Tower (TUS-300);
3. Provide a Sealed Structural Analysis and As-Built drawing to County for the structurally reinforced Pima County Tower (TUS-300);
4. Install underground conduit for the CBP compound to the base of the Pima County Tower (TUS-300) for communications cabling;
5. Remove and replace the existing CBP Tower (TUS-032) within the existing CBP compound, to meet EIA/TIA 22G standards, and reinstall temporarily migrated antennas; and
6. Replace three (3) microwave antennas currently allowed on the Pima County Tower (TUS-300) with three (3) new microwave antennas as shown on the attached **Exhibit A**.

B. All other terms and provisions of the Amended and Restated IGA not specifically changed by this Amendment remain in effect and are binding upon the parties.

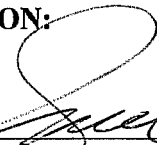
IN WITNESS THEREOF, the parties have affixed their signatures to this Second Amendment on the dates written below.

PIMA COUNTY:

Sharon Bronson
Chair, Board of Supervisors

Date

**U.S. DEPARTMENT OF
HOMELAND SECURITY,
CUSTOMS AND BORDER
PROTECTION:**



Abel Andrew Anderson, CBM, PMP
Director, Real Estate, Environmental
and Leasing Services
Border Patrol Air & Marine Program
Management Office, U.S. Customs
and Border Protection

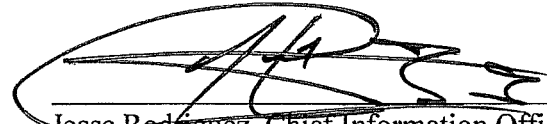
11/17/17
Date

ATTEST:

Julie Castaneda, Clerk of the Board

Date

APPROVED AS TO CONTENT:



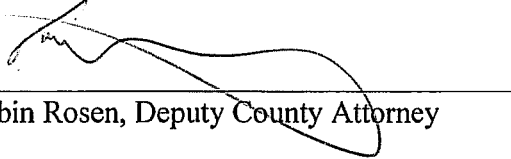
Jesse Rodriguez, Chief Information Officer
Pima County Department of Information Technology

11/27/17
Date

Intergovernmental Agreement Determination

The foregoing Amendment to the Intergovernmental Agreement between Pima County and the U.S. Department of Homeland Security, Customs and Border Protection, has been reviewed pursuant to A.R.S. section 11-952 by the undersigned, who has determined that it is in proper form and is within the powers and authority granted under the laws of the State of Arizona to Pima County.

Pima County:



Tobin Rosen, Deputy County Attorney

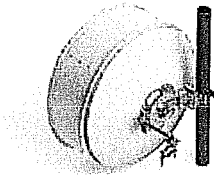
11/22/17

Date

Product Specifications

COMMSCOPE®

POWERED BY



VHLPX4-15-1GR/C

1.2 m | 4 ft ValuLine® High Performance Low Profile Antenna, dual-polarized, 14.400–15.350 GHz, UG-541A/U, gray antenna, flexible woven polymer gray radome without flash, standard pack—one-piece reflector

General Specifications

Antenna Type	VHLPX - ValuLine® High Performance Low Profile Antenna, dual-polarized
Diameter, nominal	1.2 m 4 ft
Packing	Standard pack
Radome Color	Gray
Radome Material	Flexible woven polymer
Reflector Construction	One-piece reflector
Antenna Input	UG-541A/U
Antenna Color	Gray
Antenna Type	VHLPX - ValuLine® High Performance Low Profile Antenna, dual-polarized
Diameter, nominal	1.2 m 4 ft
Flash Included	No
Polarization	Dual

Electrical Specifications

Operating Frequency Band	14.400 – 15.350 GHz
Beamwidth, Horizontal	1.2 °
Beamwidth, Vertical	1.2 °
Cross Polarization Discrimination (XPD)	30 dB
Electrical Compliance	Brazil Anatel Class 2 Canada SRSP 314.5 Part A ETSI 302 217 Class 3
Front-to-Back Ratio	71 dB
Gain, Low Band	43.0 dBi
Gain, Mid Band	43.2 dBi
Gain, Top Band	43.3 dBi
Operating Frequency Band	14.400 – 15.350 GHz
Radiation Pattern Envelope Reference (RPE)	7056C
Return Loss	17.7 dB
VSWR	1.30

Mechanical Specifications

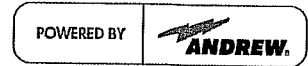
Fine Azimuth Adjustment	±15°
Fine Elevation Adjustment	±15°
Mounting Pipe Diameter	115 mm 4.5 in
Net Weight	32 kg 71 lb
Side Struts, Included	1 inboard
Side Struts, Optional	1 inboard
Wind Velocity Operational	200 km/h 124 mph
Wind Velocity Survival Rating	250 km/h 155 mph

EXHIBIT A

Product Specifications

COMMSCOPE®

VHLPX4-1.5-1GR/C



Wind Forces At Wind Velocity Survival Rating

Axial Force (FA)	5326 N 1197 lbf
Force on Inboard Strut Side	2862 N 643 lbf
Side Force (FS)	2638 N 593 lbf
Twisting Moment (MT)	2162 N•m
Weight with 1/2 in (12 mm) Radial Ice	74 kg 163 lb
Zcg with 1/2 in (12 mm) Radial Ice	284 mm 11 in
Zcg without Ice	43 mm 2 in

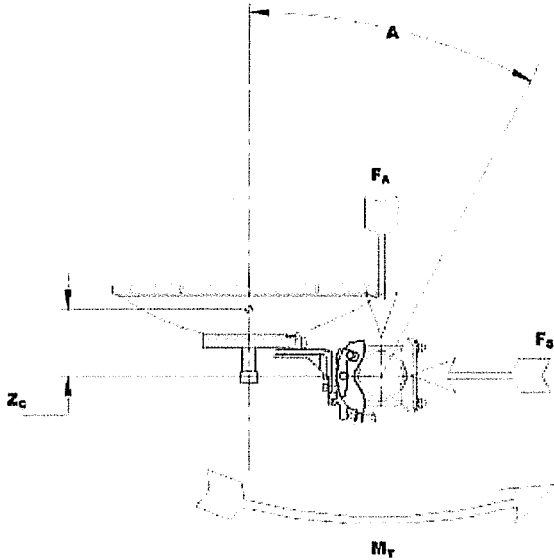
Product Specifications

COMMScope®

VHLPX4-15-1GR/C



Wind Forces At Wind Velocity Survival Rating Image



Packed Dimensions

Gross Weight, Packed Antenna	59.0 kg 130.1 lb
Height	1520.0 mm 59.8 in
Length	1360.0 mm 53.5 in
Volume	0.8 m ³
Width	380.0 mm 15.0 in

Product Specifications

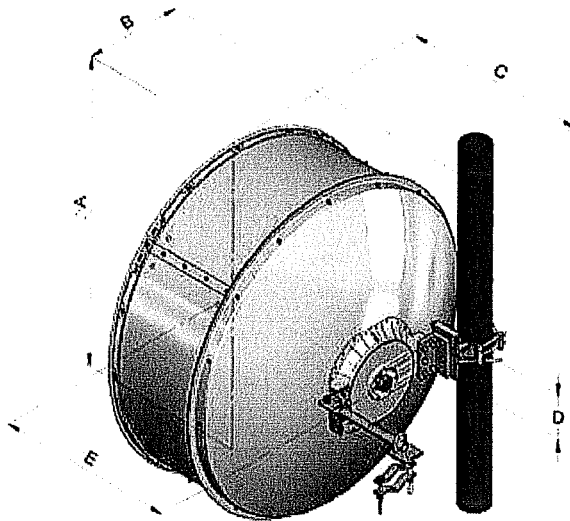
COMMSCOPE®

VHLPX4-15-1GR/C

POWERED BY



Antenna Dimensions And Mounting Information



Antenna size, ft (m)	Dimensions in inches (mm)				
	A	B	C	D	E
4 (1.2)	50.8 (1294)	16 (407)	30.2 (767)	7.2 (183)	29.5 (748)

Included Products

VHLPX4-15/C (Product Component—not orderable) — 1.2 m | 4 ft ValuLine® High Performance Low Profile Antenna, dual-polarized, 14.400–15.350 GHz

* Footnotes

Axial Force (FA)

Maximum forces exerted on a supporting structure as a result of wind from the most critical direction for this parameter. The individual maximums specified may not occur simultaneously. All forces are referenced to the mounting pipe.

Cross Polarization Discrimination (XPD)

The difference between the peak of the co-polarized main beam and the maximum cross-polarized signal over an angle twice the 3 dB beamwidth of the co-polarized main beam.

Front-to-Back Ratio

Denotes highest radiation relative to the main beam, at $180^\circ \pm 40^\circ$, across the band. Production antennas do not exceed rated values by more than 2 dB unless stated otherwise.

Gain, Mid Band

For a given frequency band, gain is primarily a function of antenna size. The gain of Andrew antennas is determined by either gain by comparison or by

Product Specifications

COMMSCOPE®

VHLPX4-15-1GR/C

POWERED BY



computer integration of the measured antenna patterns.

Operating Frequency Band

Bands correspond with CCIR recommendations or common allocations used throughout the world. Other ranges can be accommodated on special order.

Packing

Andrew standard packing is suitable for export. Antennas are shipped as standard in totally recyclable cardboard or wire-bound crates (dependent on product). For your convenience, Andrew offers heavy duty export packing options.

Radiation Pattern Envelope Reference (RPE)

Radiation patterns determine an antenna's ability to discriminate against unwanted signals under conditions of radio congestion. Radiation patterns are dependent on antenna series, size, and frequency.

Return Loss

The figure that indicates the proportion of radio waves incident upon the antenna that are rejected as a ratio of those that are accepted.

Side Force (FS)

Maximum side force exerted on the mounting pipe as a result of wind from the most critical direction for this parameter. The individual maximums specified may not occur simultaneously. All forces are referenced to the mounting pipe.

Twisting Moment (MT)

Maximum forces exerted on a supporting structure as a result of wind from the most critical direction for this parameter. The individual maximums specified may not occur simultaneously. All forces are referenced to the mounting pipe.

VSWR

Maximum; is the guaranteed Peak Voltage-Standing-Wave-Ratio within the operating band.

Wind Velocity Operational

The wind speed where the antenna deflection is equal to or less than 0.1 degrees. In the case of ValuLine antennas, it is defined as a maximum deflection of 0.3 x the 3 dB beam width of the antenna.

Wind Velocity Survival Rating

The maximum wind speed the antenna, including mounts and radomes, where applicable, will withstand without permanent deformation. Realignment may be required. This wind speed is applicable to antenna with the specified amount of radial ice.